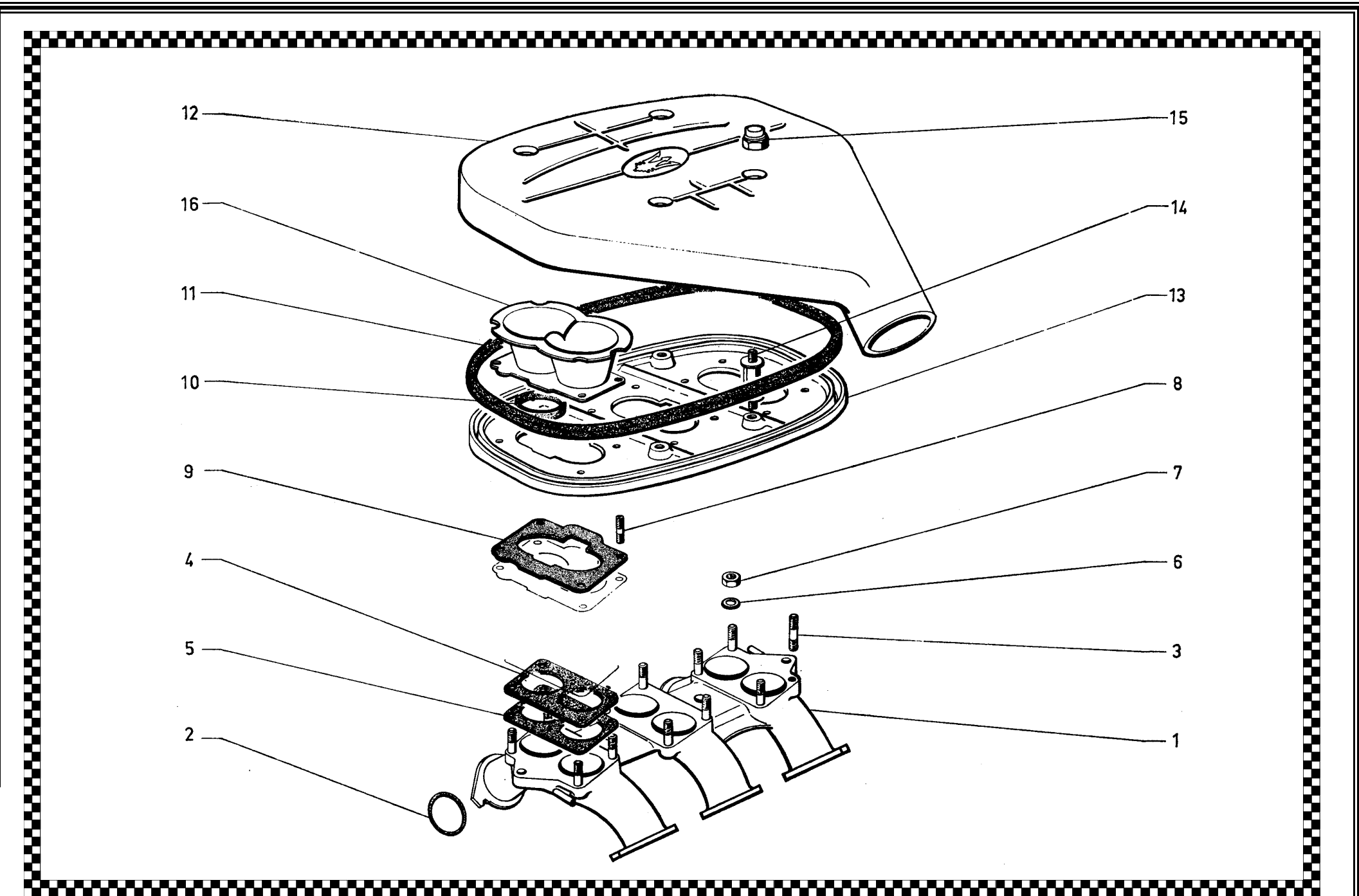
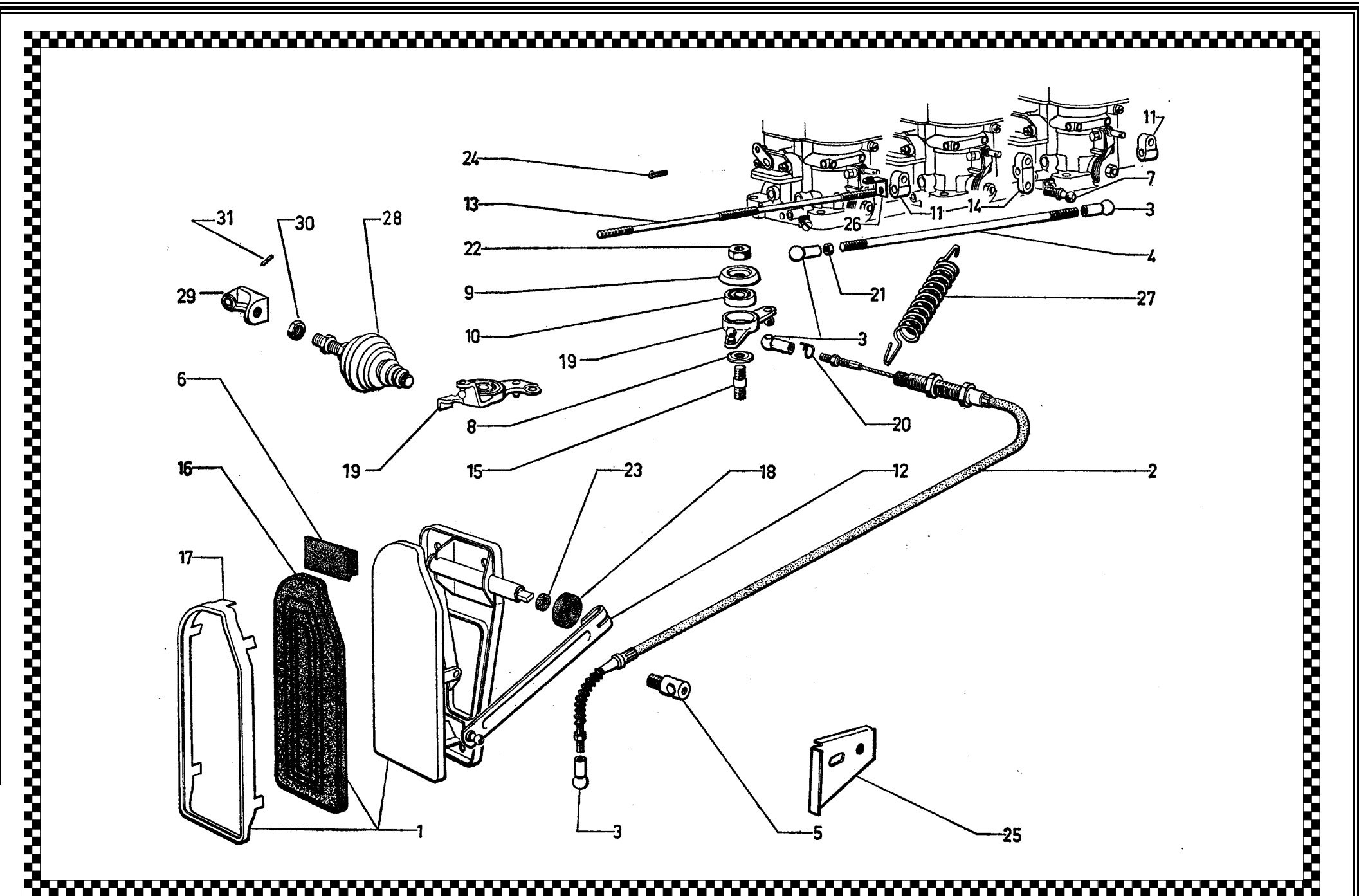


Part ID	Description					
1	Inlet manifold, studed	11	Box cover gasket	21		31
2	Gasket for manifold	12	Box cover	22		32
3	Stud for carburetor	13	Base plate for box	23		33
4	Distance piece for carb	14	Stud shouldered	24		34
5	Joint for carburetor	15	Cap nut	25		35
6	Washer f. carburetor	16	Air inlet f. carburettor	26		36
7	Nut f. carburetor	17		27		37
8	Stud for inlet pipes	18		28		38
9	Joint for inlet pipes	19		29		39
10	Joint for inlet pipes	20		30		40



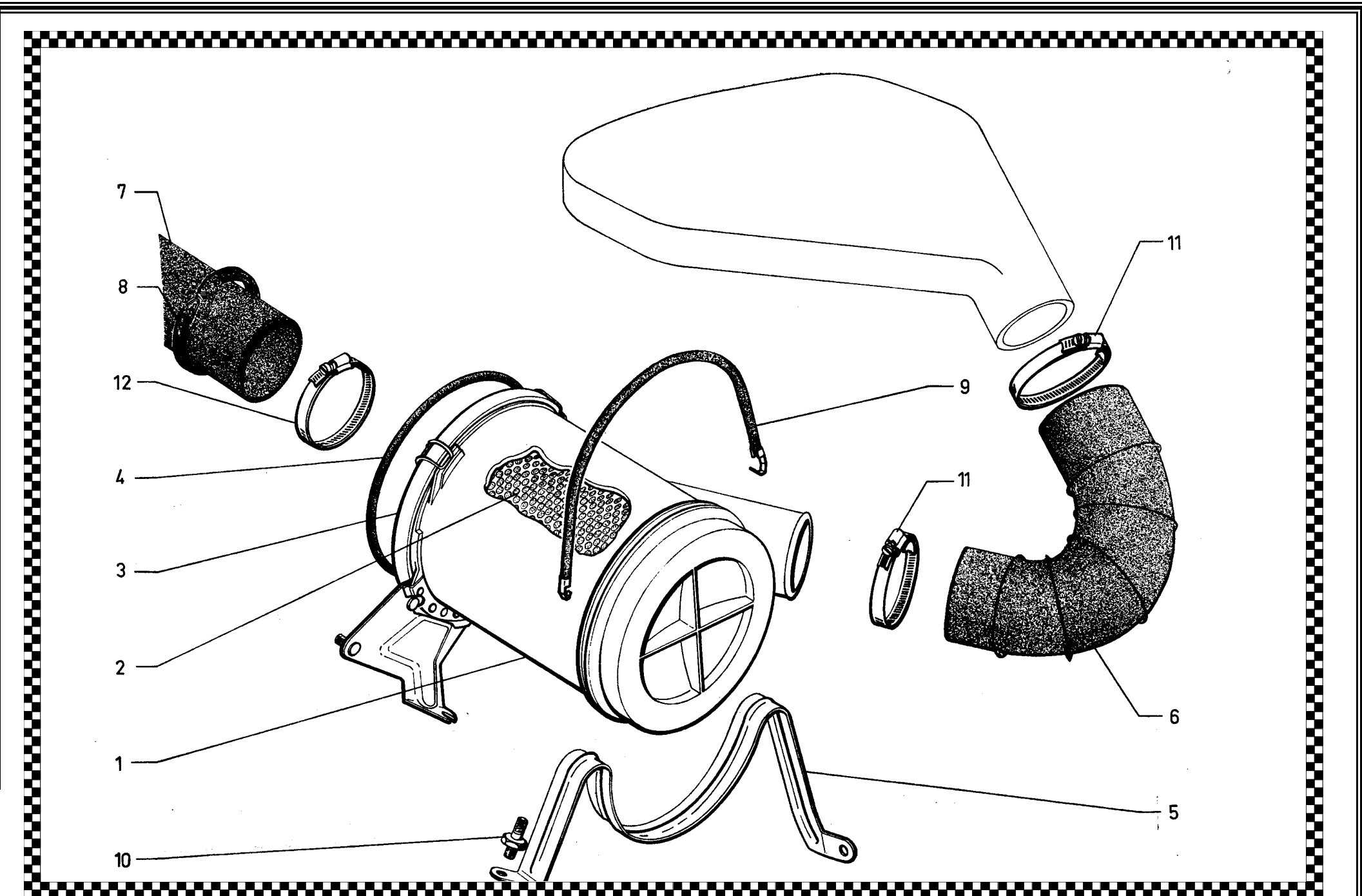
Group 2: Inlet Manifold- Capacity Box

Part ID	Description						
1	Pedal assy.	11	Lever on carburetors	21	Locknut (LH thread)	31	Pin f. bracket
2	Cable for accelerator	12	Lever f. accelerator control	22	Nut for relay lever on pin	32	
3	Ball pin socket for accelerator cable	13	Connecting rod	23	Felt washer for pedal pin	33	
4	Rod betw. Relay laver and carburetor	14	Lever on carburetor	24	Pin	34	
5	Stop for sheath	15	Pin for relay lever	25	Bracket for sheath stop	35	
6	Stop for pedal	16	Pedal lining	26	Hooking lug	36	
7	Ball pin f. central carburetors lever	17	Embellisher for pedal	27	Spring	37	
8	Thrust washer	18	Washer for pedal pin	28	Slow running damper	38	
9	Protective plate f. bearing	19	Control relay lever	29	Bracket	39	
10	bearing	20	Pin for ball pin	30	Nut	40	



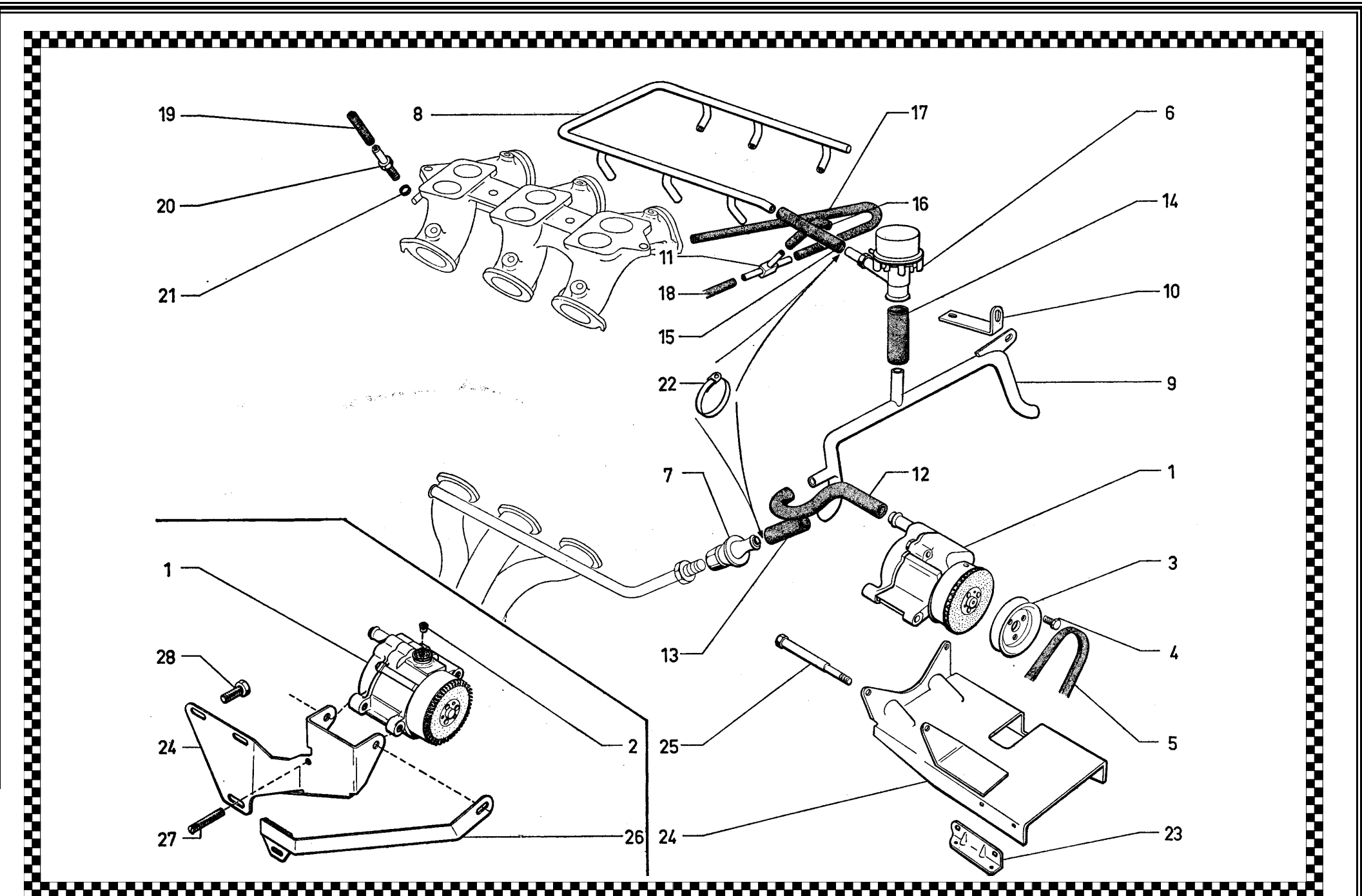
Group 2: Accelerator Control

Part ID	Description					
1	Air filter	11	Collar for elbowed tube	21		31
2	Filtering cartridge	12	Collar for intake tube	22		32
3	Air filter cover (reinforced)	13		23		33
4	Cover seal	14		24		34
5	Log supporting filter	15		25		35
6	Tube elbowed	16		26		36
7	Intake tube	17		27		37
8	Strap for intake tube	18		28		38
9	Filter tensor	19		29		39
10	Shouldered screw for filter lug	20		30		40



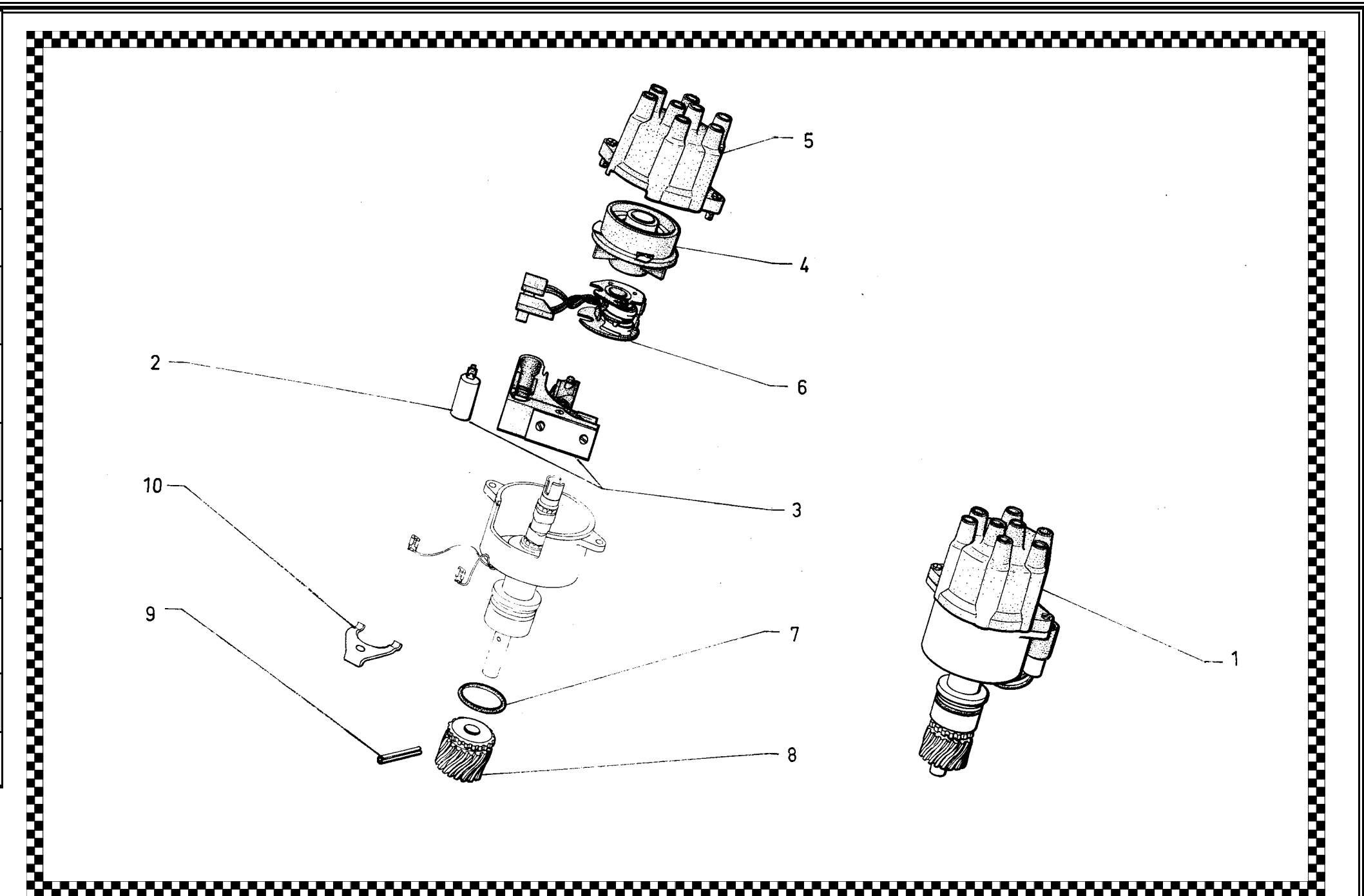
Group 2: Air Filter

Part ID	Description					
1	Air pump	11	T-shaped union	21	Gasket	31
2	Valve plug	12	Rubber pipe	22	Collar f. rubber pipes	32
3	Pulley (casting)	13	Rubber pipe	23	Angle bar	33
4	Screw	14	Rubber pipe	24	Pump bracket	34
5	Belt	15	Rubber pipe	25	Screw	35
6	Gulp valve	16	Rubber pipe	26	Tie-rod f. pump	36
7	Check valve	17	Rubber pipe	27	Adjusting screw	37
8	Air distribution pipe	18	Suction pipe	28	Bracket screw	38
9	Air distribution pipe	19	Rubber pipe	29		39
10	Bracket f. air supply pipe	20	Union on inlet manifold	30		40



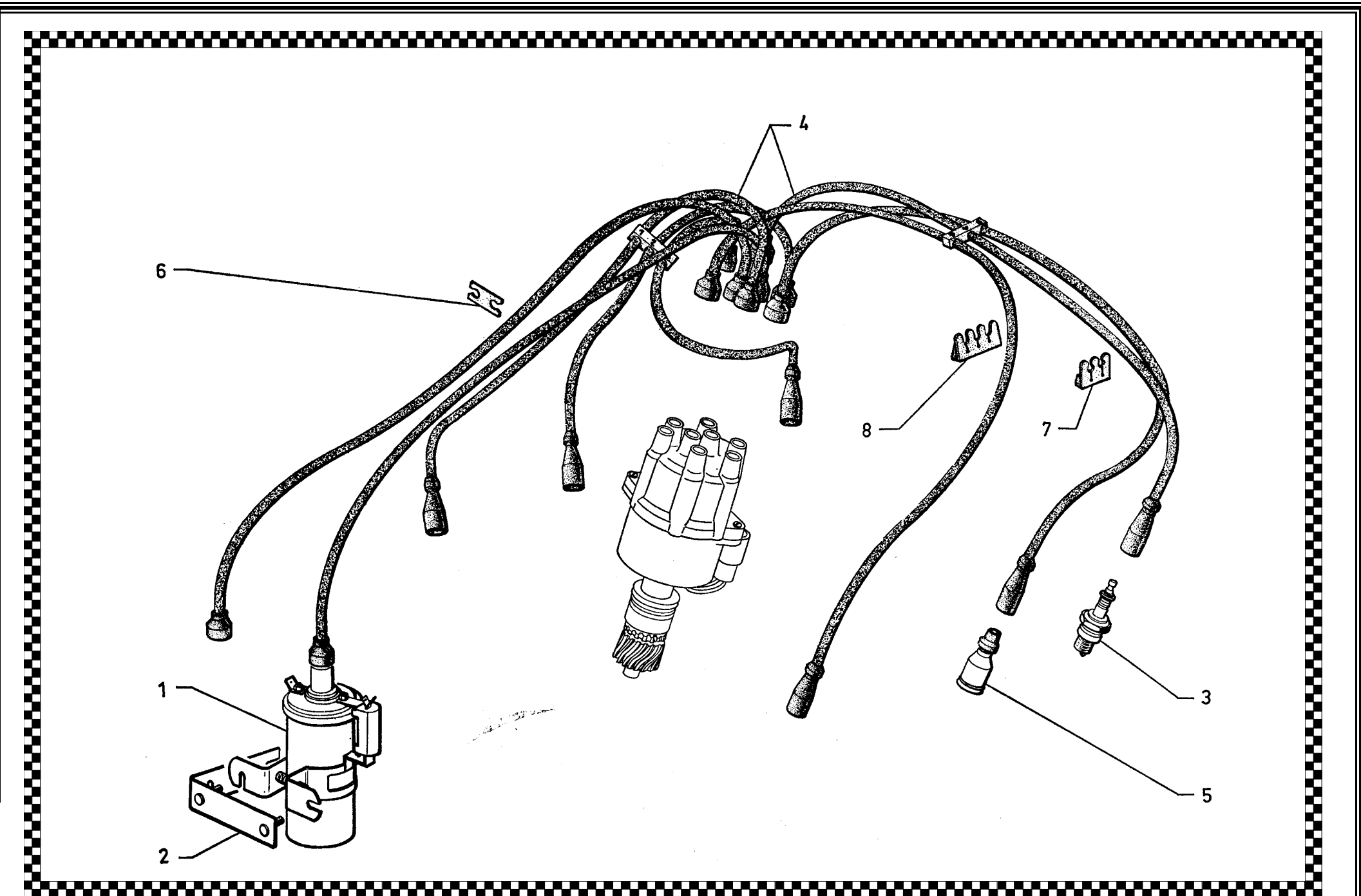
Group 2: Exhaust Emission Control

Part ID	Description					
1	Distributor assy.	11		21		31
2	Condenser	12		22		32
3	Support for condenser	13		23		33
4	Rotor	14		24		34
5	Distributor cap	15		25		35
6	Contact breaker box	16		26		36
7	Sealing ring	17		27		37
8	Control pinion	18		28		38
9	Pin	19		29		39
10	Flange f. distrib. Assy.	20		30		40



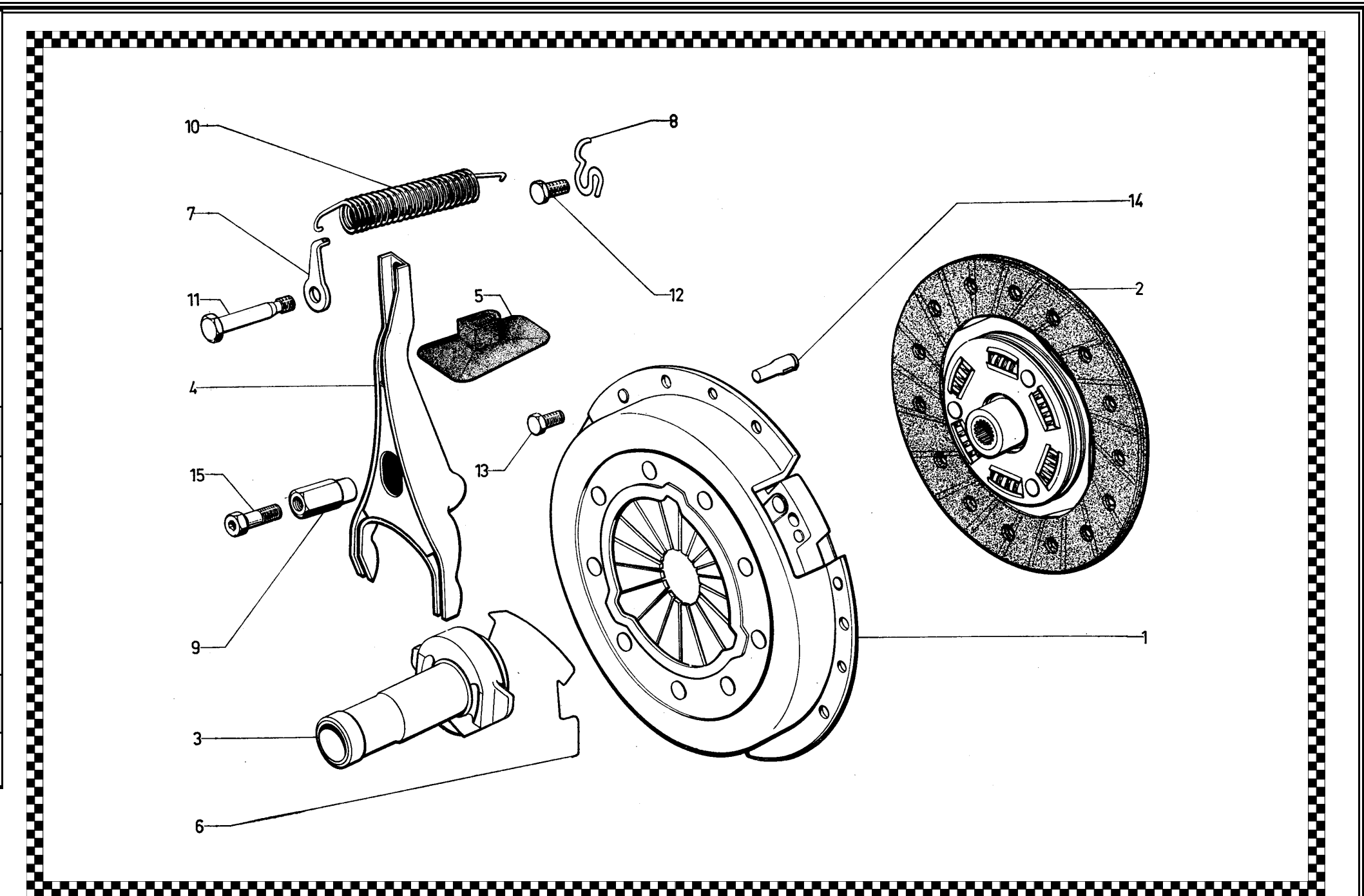
Group 2: Ignition Distributor 2.7

Part ID	Description					
1	Ignition coil	11		21		31
2	Bracket for coil	12		22		32
3	Spark plug	13		23		33
4	Set of distributor leads	14		24		34
5	Suppressed end piece	15		25		35
6	Support plate for leads from distributor to coil	16		26		36
7	Support f. 2 leads	17		27		37
8	Support f. 3 leads	18		28		38
9		19		29		39
10		20		30		40



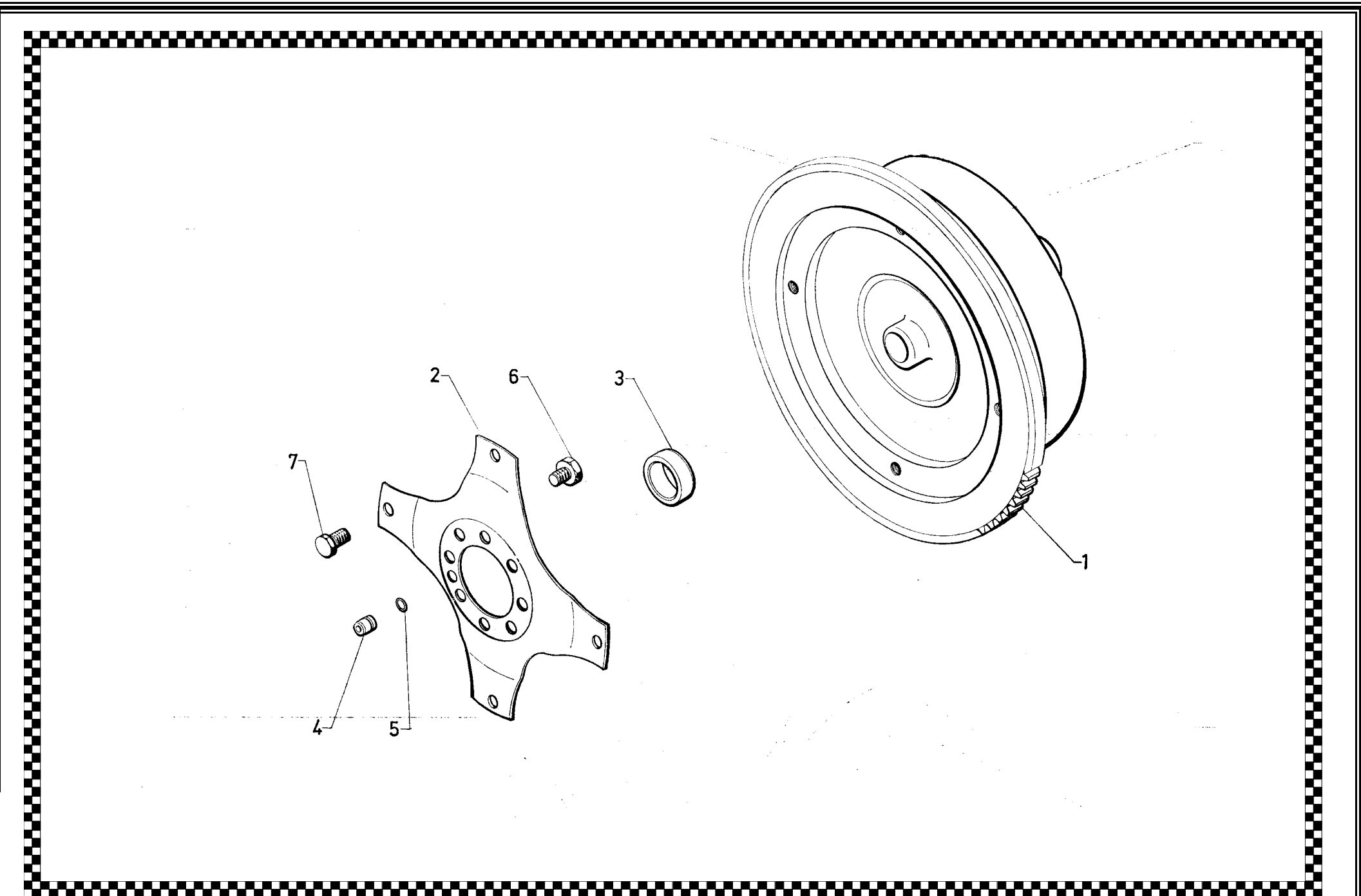
Group 2: Ignition Wiring

Part ID	Description					
1	Mechanism	11	Adjusting screw for fork	21		31
2	Disc	12	Screw for lug on housing	22		32
3	Ball bearing with support	13	Screw for mechanism on fly-wheel	23		33
4	Fork	14	Centering pin, splined	24		34
5	Dust cover rubber	15	Hexag. Recess screw for ball pin	25		35
6	Return spring for bush	16		26		36
7	Lug for fork spring on fork	17		27		37
8	Lug for fork spring on clutch housing	18		28		38
9	Fork ball pin	19		29		39
10	Return spring for fork	20		30		40



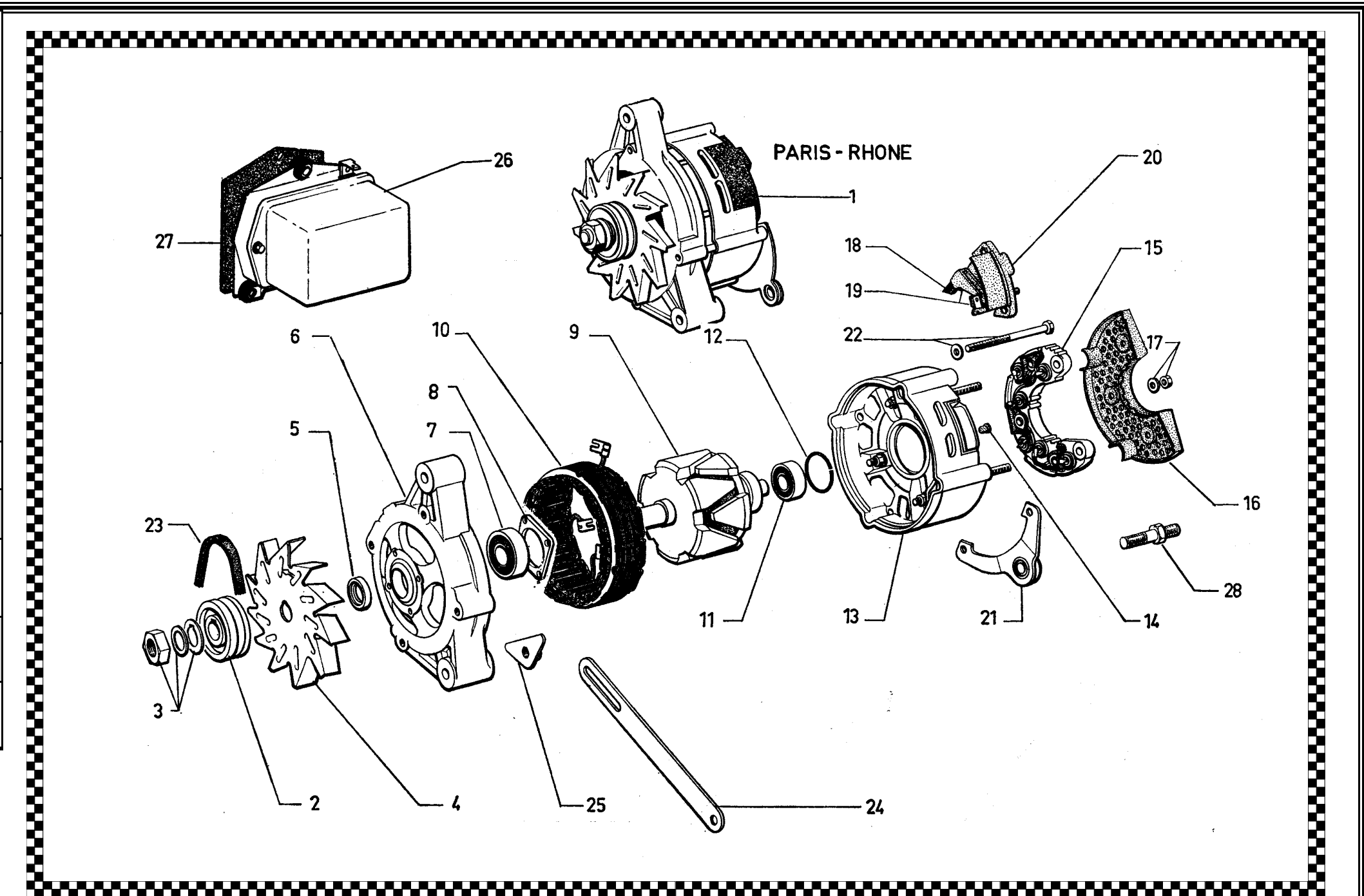
Group 2: Clutch

Part ID	Description					
1	Converter	11		21		31
2	Driving plate	12		22		32
3	Bush	13		23		33
4	Centering dowel	14		24		34
5	Circlip	15		25		35
6	Driving plate screw on crankshaft	16		26		36
7	Driving plate screw on converter	17		27		37
8		18		28		38
9		19		29		39
10		20		30		40



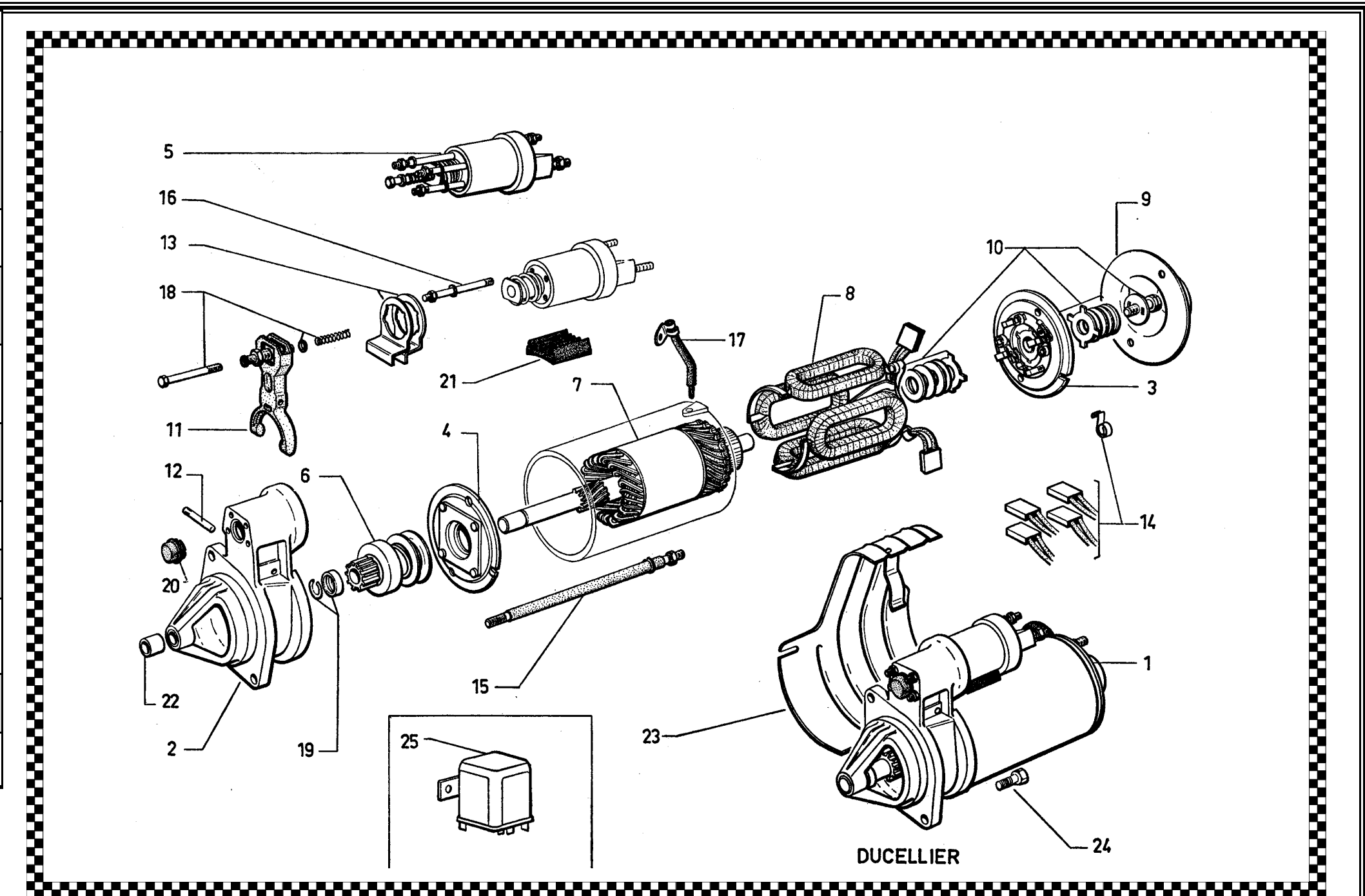
Group 2: Automatic Clutch

Part ID	Description					
1	Altenator	11	Ball bearing	21	Damper fork	31
2	Polley (cast iron or steel)	12	Gasket for bearing cage	22	Set of assembling screws	32
3	Set of parts f. pulley fitting	13	Bearing bushe side	23	Driving belt	33
4	Fan (sheet iron)	14	Plug f. bearing	24	Belt stay f. alternator	34
5	Distance piece (steel)	15	Diode-holder, complete	25	Lock plate	35
6	Bearing, control side	16	Cover f. bearing	26	Regulator	36
7	Ball bearing	17	Set of securing parts for cover	27	Plaquette under regulator	37
8	Set of parts for fitting the ball bearing	18	Set of 2 brushes	28	bolt	38
9	Rotor	19	Set of brush holders brushes and springs	29		39
10	Stator	20	Brush-holder with brushes and springs	30		40



Group 2: Alternator—Regulator

Part ID	Description						
1	Starter motor	11	Fork assy.	21	Damper pad	31	
2	Drive bearing plate	12	Pin assy.	22	Bearing bush	32	
3	Bearing, commutador end	13	Set of sealing parts for solenoid	23	Screen for motor	33	
4	Intermediate bearing	14	Set of brushes	24	Hollow screw (6 flats) securing starter motor	34	
5	Solenoid, complete	15	Set of assembling rods	25	Starter relay	35	
6	Starter drive	16	Set of assy rods for solenoid	26		36	
7	Armature, complete	17	Connection for induction coils	27		37	
8	Set of induction ncoils	18	Set of adjusting parts	28		38	
9	Cover for bearing plate	19	Set of stop parts	29		39	
10	Set of friction parts	20	Plug for solenoid	30		40	



Group 2: Starter Motor 2.7

Part ID	Description					
1		11		21		31
2		12		22		32
3		13		23		33
4		14		24		34
5		15		25		35
6		16		26		36
7		17		27		37
8		18		28		38
9		19		29		39
10		20		30		40



Group 1: Fan

Part ID	Description					
1		11		21		31
2		12		22		32
3		13		23		33
4		14		24		34
5		15		25		35
6		16		26		36
7		17		27		37
8		18		28		38
9		19		29		39
10		20		30		40

